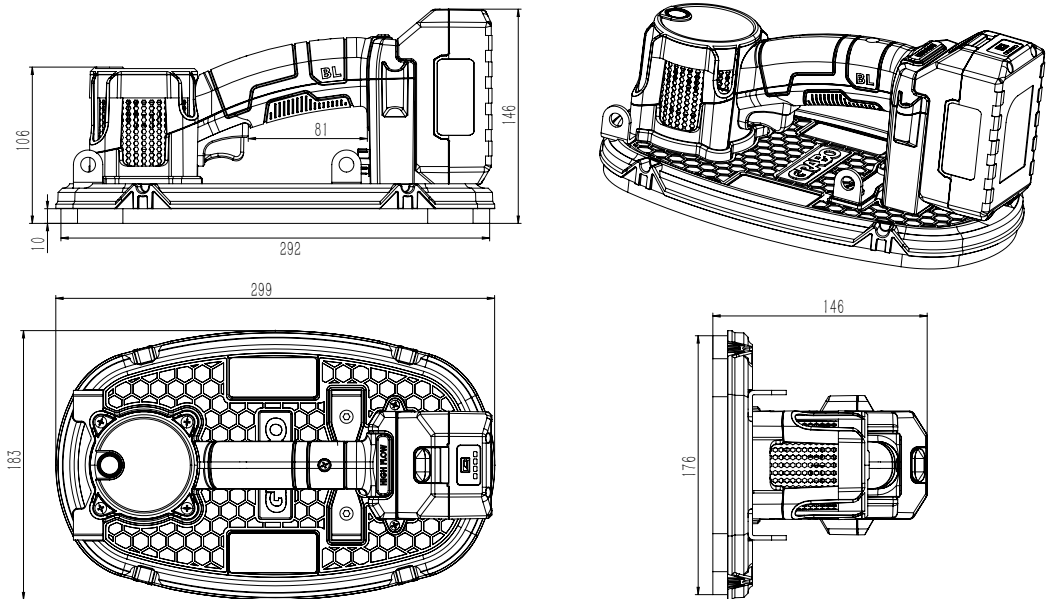


## GRABO® High-Flow HEAVY LIFTING MADE EASY



### Specifications:

Model / SKU	GHF-V1
Dimensions	300 x 184 x 148 mm / 11.8 x 7.2 x 5.8 inches
Net Weight (with the 300*300 add-on & battery)	2.8 kg / 6.2 lbs
Rated Air Flow	1500 L/min (1.5m <sup>3</sup> /min)
Maximum Vacuum Rate	-0.20 Bar (-20 kPa)
Suction Power	80W
Working Temperature	0°- 60°C (32°F - 140°F)

### GRABO® High-Flow lifting capacity

**NOTICE** The GRABO® High-Flow was tested up to 57.6 kg (127 lbs) with no suction plate attached, 130 kg (287 lbs) with the 300\*300 suction plate, and 256 kg (564 lbs) with the 400\*400 suction plate at maximum lifting force under ideal conditions. However, this figure is the breaking point under optimal lab testing conditions and must never be reached in real-world applications!

Local regulations require different safety margins to be used, and the official tool Working Load Limit (WLL) is set with a 30% safety ratio and can be seen in the lifting force chart below.

### Lifting force chart

PRESSURE VALUE		NO ATTACHMENT		SUCTION PLATE 300		SUCTION PLATE 400	
PSI	BAR	Lbs	Kg	Lbs	Kg	Lbs	Kg
3.0	0.2	75	34	150	68	242	110
2.5	0.17	66	30	134	60.7	220	100
2.0	0.137	50.7	23	108	49	205	93
1.5	0.1	32.4	14.7	73.4	33.3	176	80
1.0	0.06	22	10	50.7	23.3	96	43.5

Based on product information at time of publication. Environmental conditions can affect product performance and longevity; consult the product manual on GRABO.com or contact a Sales Representative for more information.

#### GRABO headquarters:

Eastern Commerce Center  
6000 S Eastern Ave  
Unit 9E  
Las Vegas, Nevada, 89119

Info@GRABO.com

www.GRABO.com

#### Main Office:

+1 (844) 430-0510

#### Help & Warranty:

+1 (702) 718-2433

By Nemo Power Tools  
[www.GRABO.com](http://www.GRABO.com)